

PANNEL CUTOUT

PART NO.	CABLE	(A) DIM	(B) DIM	1-9	10-24	25-49	50-99	100+
1526-1SF	RG-402	.145	.18	\$32.50	\$29.75	\$27.25	\$25.20	\$23.50
1526-2SF	RG-405	.089	.12	\$32.50	\$29.75	\$27.25	\$25.20	\$23.50
1526-3SF	RG-401	.255	.30	\$32.50	\$29.75	\$27.25	\$25.20	\$23.50
1526-HEL- SF	1/4 HELIAX	.255	.30	\$36.50	\$33.75	\$31.25	\$29.20	\$27.50

- 5. VSWR NOT TO EXCEED 1.25 :1 THRU 18 GHZ
- 4. CONNECTOR TO MEET OR EXCEED ALL SPECIFICATIONS PER MIL-39012
- 3. FINISH:

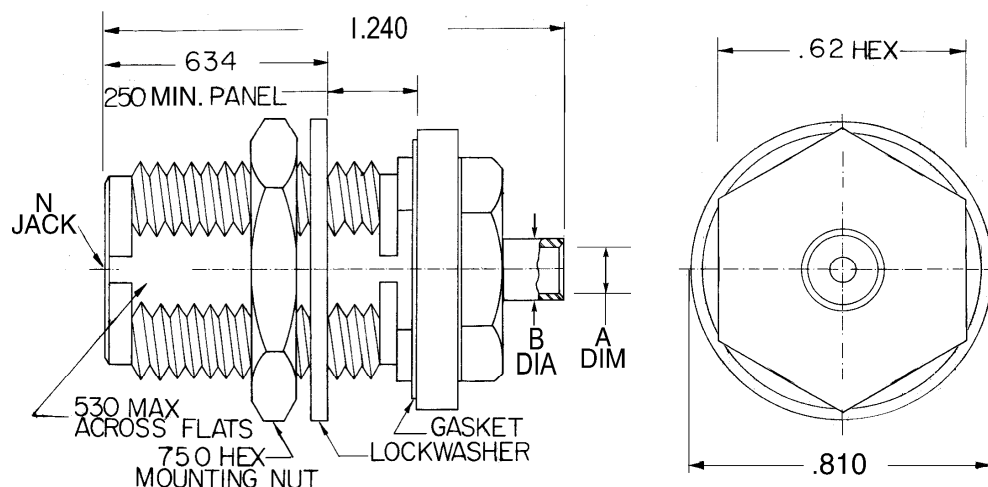
BODY:: PASSIVATE PER QQ-P-35  
 LOCKWASHER: PASSIVATE PER QQ-P-35  
 MOUNTING NUT: PASSIVATE PER QQ-P-35  
 SUB-ASSEMBLY NUT: PASSIVATE PER QQ-P-35  
 CONTACT AND INNER SUB-ASSEMBLY: GOLD PER MIL-G-45204:  
 TYPE II, CLASS 2, OVER COPPER PER MIL-C-14550, CLASS 4

2. MATERIAL:

BODY: STAINLESS STL PER QQ-S-764 TYPE 303  
 MOUNTING NUT : STAINLESS STL PER QQ-S-764 TYPE 303  
 SUB-ASSEMBLY NUT: STAINLESS STL PER QQ-S-764 TYPE 303  
 SUB-ASSEMBLY SLEEVE: BRASS PER QQ-B-626  
 SUB-ASSEMBLY CABLE MOUNT: BRASS PER QQ-B-626  
 LOCKWASHER: STAINLESS STL PER QQ-S-764 TYPE 303  
 CONTACT : BERYL. COPPER PER QQ-C-530  
 INSULATOR: TEFLON PER MIL-P-19468A

- 1. MATING DIMS IN ACCORDANCE WITH MIL-STD-348

NOTES :



**NOTICE**  
 This drawing embodies a CONFIDENTIAL proprietary design originated by United Microwave Products, Inc., and all design, manufacturing, reproduction, use and sale rights regarding the same are expressly reserved. It is submitted under a confidential relationship for a specified purpose and the recipient agrees by accepting this drawing not to supply or disclose any information regarding it to any unauthorized person or to incorporate in other projects any special feature peculiar to this design. All patent rights hereto are expressly reserved by United Microwave Products Inc.

WEIGHT	SCALE
N/A	NONE

**TOLERANCES AND NOTES EXCEPT AS NOTED DIMENSIONS ARE IN INCHES**  
 LINEAR XX ± .015 ANGULAR ± 1/2 ° FRACTION ± 1/32 XXX ± .005  
 1. MACHINE FINISH  $\sqrt{63}$  RMS  
 2. BREAK ALL SHARP EDGES .002  
 3. ALL MACHINED FILLETS  
 4. ALL MACHINED SURFACES SQUARE TO RESPECTIVE AXIS WITHIN .003 PER INCH.  
 5. MACHINED DIAMETERS TO BE CONCENTRIC WITHIN .002 - .003 T.I.R.  
 6. DIMENSIONS TO BE MET BEFORE PLATING.  
 7. CHAMFER ALL THDS .45 DEGREES  
 8. THREADS PER H-2B  
 9. REMOVE FRAYED EDGES ON TEFLON.  
 10. REMOVE ALL BURRS.

MATERIAL	SIZE	SPECIFICATION	PROCUREMENT
<b>UNITED MICROWAVE PRODUCTS Inc.</b>			
<b>N BULKHEAD FEED THROUGH JACK SEMI-RIGID FLEXIBLE CABLE RG-TYPE</b>			
APPR.			
ENG.			
CHK.			
DR.			
<b>1526-SF</b>			