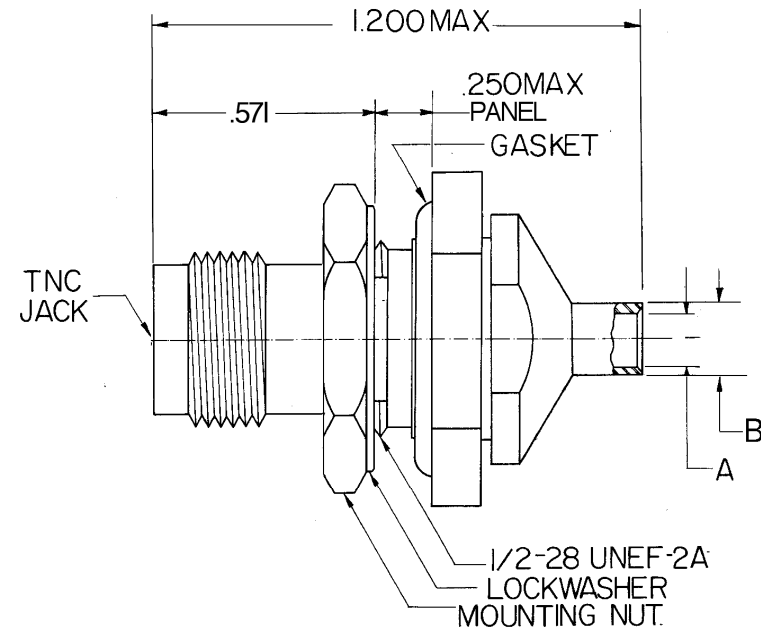


PANEL CUTOUT



5. VSWR NOT TO EXCEED 1.20:1 FROM DC TO 11.0 GHz
& 1.30:1 FROM 11GHz TO 18 GHz

4. CONNECTOR TO MEET OR EXCEED ALL SPECIFICATIONS PER MIL-39012

3. FINISH:

BODY, LOCKWASHER AND MOUNTING NUT: PASSIVATE PER QQ-P-35

SOLDER BODY SUB ASSEMBLY: GOLD PER MIL-G-45204

OVER NICKEL PER QQ-N-290

CONTACT: GOLD PER MIL-G-45204: TYPE II,
CLASS 2, OVER COPPER PER MIL-C-14550, CLASS 4

2. MATERIAL:

BODY: STAINLESS STL PER QQ-S-764 TYPE 303

SOLDER BODY SUB ASSEMBLY: STAINLESS STEEL. QQ-S-764 TYPE 303

MOUNTING NUT: STAINLESS STEEL PER QQ-S-764 TYPE 303

LOCKWASHER: STAINLESS STEEL. QQ-S-764 TYPE 303

CONTACT: BERYL. COPPER PER QQ-C-530

INSULATOR: TEFLON PER MIL-P-19468A

1. MATING DIMS IN ACCORDANCE WITH MIL-STD-348

NOTES :

PART NO.	CABLE	(A) DIM	(B) DIM	1-9	10-24	25-49	50-99	100+
531-1SF (STAINLESS BODY)	RG-405	.089	.12	\$41.00	\$39.00	\$37.50	\$36.00	\$34.00
531-2SF (STAINLESS BODY)	RG-402	.145	.18	\$41.00	\$39.00	\$37.50	\$36.00	\$34.00

NOTICE

This drawing embodies a CONFIDENTIAL proprietary design originated by United Microwave Products, Inc., and all design, manufacturing, reproduction, use and sale rights regarding the same are expressly reserved. It is submitted under a confidential relationship for a specified purpose and the recipient agrees by accepting this drawing not to supply or disclose any information regarding it to any unauthorized person or to incorporate in other projects any special feature peculiar to this design. All patent rights hereto are expressly reserved by United Microwave Products Inc.

TOLERANCES AND NOTES EXCEPT AS NOTED DIMENSIONS ARE IN INCHES

LINEAR .XX ± .015 ANGULAR ± 1/2 ° FRACTION ± 1/32
XXX ± .005

- MACHINE FINISH $\sqrt{3}$ RMS
- BREAK ALL SHARP EDGES .002
- ALL MACHINED FILLETS
- ALL MACHINED SURFACES SQUARE TO RESPECTIVE AXIS WITHIN .003 PER INCH.
- MACHINED DIAMETERS TO BE CONCENTRIC WITHIN .002 - .003 T.I.R.
- DIMENSIONS TO BE MET BEFORE PLATING.
- CHAMFER ALL THDS. 45 DEGREES
- THREADS PER H-2B
- REMOVE FRAYED EDGES ON TEFLON.
- REMOVE ALL BURRS.

UNITED MICROWAVE PRODUCTS Inc.

TNC JACK BULKHEAD FEED THROUGH CABLE DIRECT SOLDER

MATERIAL	SIZE	SPECIFICATION	PROCUREMENT
		APPR.	
		ENG.	
		CHK.	
		DR.	

531-SF

WEIGHT SCALE

N/A NONE