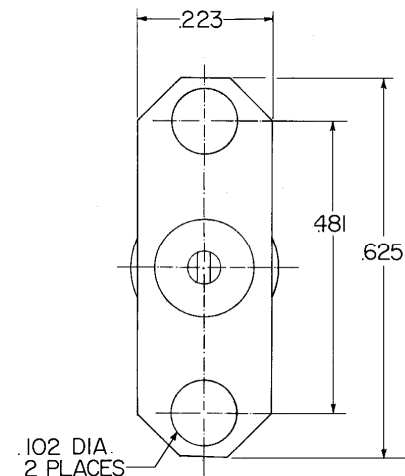
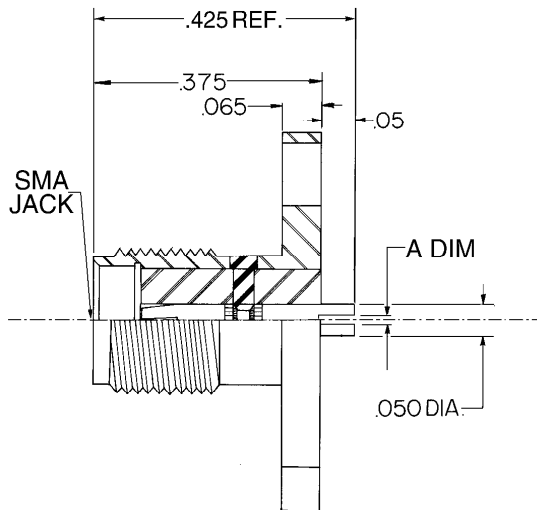


PART NO.	FLANGE SIZE	1-9	10-24	25-49	50-99	100+
<b>318V-CCSF</b>	<b>2 HOLE</b>	<b>\$11.75</b>	<b>\$10.75</b>	<b>\$9.75</b>	<b>\$9.27</b>	<b>\$8.85</b>



VERTICAL CONTACT ORIENTATION

PART NO.	A DIM.
318V-1CC-SF	.012
318V-2CC-SF	.018
318V-3CC-SF	.028

5. VSWR NOT TO EXCEED 1.25 :1 THRU 18 GHz
4. RECEPTACLE TO MEET OR EXCEED ALL SPECIFICATIONS PER MIL-39012
3. FINISH:  
BODY: PASSIVATE PER QQ-P-35  
CONTACT: GOLD PER MIL-G-45204: TYPE II, CLASS 2, OVER COPPER PER MIL-C-14550, CLASS 4
2. MATERIAL:  
BODY: STAINLESS STL PER QQ-S-764 TYPE 303  
CONTACT: BERYL. COPPER PER QQ-C-530  
INSULATOR: TEFLON PER MIL-P-19468A
1. MATING DIMS IN ACCORDANCE WITH MIL-STD-348

NOTES :

**NOTICE**

This drawing embodies a CONFIDENTIAL proprietary design originated by United Microwave Products, Inc., and all design, manufacturing, reproduction, use and sale rights regarding the same are expressly reserved. It is submitted under a confidential relationship for a specified purpose and the recipient agrees by accepting this drawing not to supply or disclose any information regarding it to any unauthorized person or to incorporate in other projects any special feature peculiar to this design. All patent rights hereto are expressly reserved by United Microwave Products Inc.

**TOLERANCES AND NOTES EXCEPT AS NOTED DIMENSIONS ARE IN INCHES**

LINEAR XX ± .015 ANGULAR ± 1/2 ° FRACTION ± 1/32  
XXX ± .005

1. MACHINE FINISH  $\sqrt{63}$  RMS
2. BREAK ALL SHARP EDGES .002
3. ALL MACHINED FILLETS
4. ALL MACHINED SURFACES SQUARE TO RESPECTIVE AXIS WITHIN .003 PER INCH.
5. MACHINED DIAMETERS TO BE CONCENTRIC WITHIN .002 - .003 T.I.R.
6. DIMENSIONS TO BE MET BEFORE PLATING.
7. CHAMFER ALL THDS .45 DEGREES
8. THREADS PER H-2B
9. REMOVE FRAYED EDGES ON TEFLON.
10. REMOVE ALL BURRS.

WEIGHT		SCALE		MATERIAL		SIZE		SPECIFICATION		PROCUREMENT	
N/A		NONE									
<b>UNITED MICROWAVE PRODUCTS Inc.</b>										APPR.	
<b>SMA JACK 2 HOLE FLANGE MOUNT</b>										ENG.	
<b>VERTICAL SLOT TERMINAL CAPTIVE CONTACT</b>										CHK.	
<b>318V-CCSF</b>										DR.	