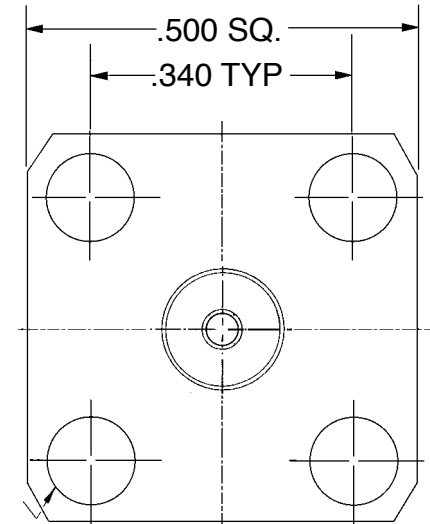
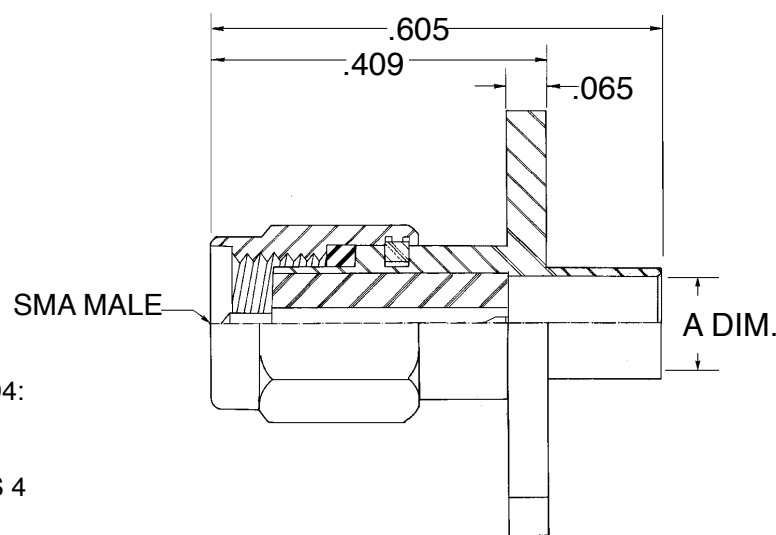


| PART NO | (A) DIM | CABLE | 1-9 | 10-24 | 25-49 | 50-99 | 100+ |
|---------|---------|--------|---------|---------|---------|---------|---------|
| 303M | .143 | 141 SR | \$21.25 | \$20.25 | \$20.00 | \$19.00 | \$18.00 |
| 303-1M | .0875 | 085 SR | \$22.25 | \$21.25 | \$21.00 | \$20.75 | \$20.50 |
| 303-3M | .051 | 047 SR | \$24.00 | \$23.00 | \$22.75 | \$22.50 | \$22.25 |



5. VSWR NOT TO EXCEED 1.25 :1 THRU 18 GHZ
4. CONNECTOR TO MEET OR EXCEED ALL SPECIFICATIONS PER MIL-39012
3. FINISH:
 BODY AND COUPLING NUT: GOLD PER MIL-G-45204:
 OVER NICKEL PER QQ-N-290
 CONTACT: GOLD PER MIL-G-45204: TYPE II,
 CLASS 2, OVER COPPER PER MIL-C-14550, CLASS 4
2. MATERIAL:
 BODY: STAINLESS STL PER QQ-S-764 TYPE 303
 COUPLING NUT STAINLESS STL PER QQ-S-764 TYPE 303
 CONTACT: BRASS PER QQ-B-626
 INSULATOR: TEFLON PER MIL-P-19468A
1. MATING DIMS IN ACCORDANCE WITH MIL-STD-348

NOTES :

NOTICE

This drawing embodies a CONFIDENTIAL proprietary design originated by United Microwave Products, Inc., and all design, manufacturing, reproduction, use and sale rights regarding the same are expressly reserved. It is submitted under a confidential relationship for a specified purpose and the recipient agrees by accepting this drawing not to supply or disclose any information regarding it to any unauthorized person or to incorporate in other projects any special feature peculiar to this design. All patent rights hereto are expressly reserved by United Microwave Products Inc.

TOLERANCES AND NOTES EXCEPT AS NOTED DIMENSIONS ARE IN INCHES

- LINEAR XX ± .015 ANGULAR ± 1/2 ° FRACTION ± 1/32
 XXX ± .005
1. MACHINE FINISH $\sqrt{63}$ RMS
 2. BREAK ALL SHARP EDGES .002
 3. ALL MACHINED FILLETS
 4. ALL MACHINED SURFACES SQUARE TO RESPECTIVE AXIS WITHIN .003 PER INCH.
 5. MACHINED DIAMETERS TO BE . CONCENTRIC WITHIN .002 - .003 T.I.R.
 6. DIMENSIONS TO BE MET BEFORE PLATING.
 7. CHAMFER ALL THDS .45 DEGREES
 8. THREADS PER H-2B
 9. REMOVE FRAYED EDGES ON TEFLON.
 10. REMOVE ALL BURRS.

| MATERIAL | SIZE | SPECIFICATION | PROCUREMENT |
|--|------|---------------|-------------|
| UNITED MICROWAVE PRODUCTS Inc. | | | |
| 4 HOLE FLANGE PLUG SEMI-RIGID SOLDER TYPE | | | |
| APPR. | | | |
| ENG. | | | |
| CHK. | | | |
| DR. | | | |
| | | | 303M |

WEIGHT

SCALE