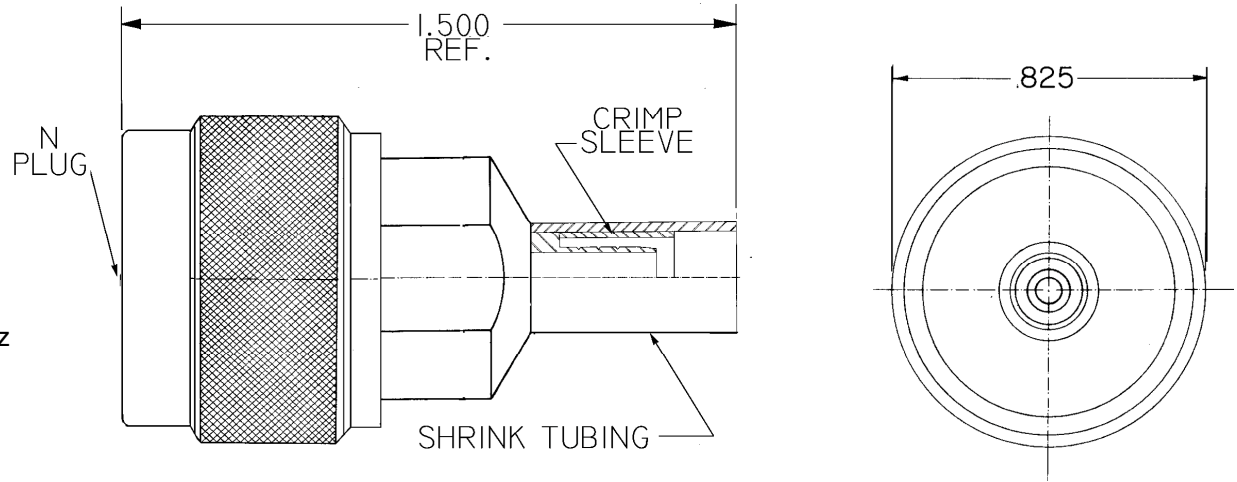


| PART NO. | CABLE | 1-9 | 10-24 | 25-49 | 50-99 | 100+ |
|-----------|------------------|---------|---------|---------|---------|---------|
| 1523-1FLX | RG-155, 142, 223 | \$23.75 | \$22.50 | \$21.75 | \$20.50 | \$19.75 |
| 1523-2FLX | RG- 58, 141, 303 | \$23.75 | \$22.50 | \$21.75 | \$20.50 | \$19.75 |
| 1523-3FLX | RG-304 | \$23.75 | \$22.50 | \$21.75 | \$20.50 | \$19.75 |



5. VSWR NOT TO EXCEED 1.20:1 FROM DC TO 11.0 GHZ & 1.30:1 FROM 11GHZ TO 18 GHZ
4. CONNECTOR TO MEET OR EXCEED ALL SPECIFICATIONS PER MIL-39012
3. FINISH:
 BODY AND COUPLING NUT: NICKLE PER QQ-N-290
 SOLDER BODY AND CONTACT: GOLD PER MIL-G-45204:
 OVER COPPER PER MIL-C-14550, CLASS 4
2. MATERIAL:
 BODY: BRASS PER QQ-B-626
 CONTACT: BERYL. COPPER PER QQ-C-530
 SOLDER BODY: BRASS PER QQ-B-626
 COUPLING NUT: BRASS PER QQ-B-626
 INSULATOR: TEFLON PER MIL-P-19468A
1. MATING DIMS IN ACCORDANCE WITH MIL-STD-348

NOTES :

| NOTICE | | TOLERANCES AND NOTES EXCEPT AS NOTED DIMENSIONS ARE IN INCHES | | MATERIAL | | SIZE | | SPECIFICATION | | PROCUREMENT | |
|--|-------|--|--|--------------------------------|--|--|--|---------------|--|-------------|--|
| This drawing embodies a CONFIDENTIAL proprietary design originated by United Microwave Products, Inc., and all design, manufacturing, reproduction, use and sale rights regarding the same are expressly reserved. It is submitted under a confidential relationship for a specified purpose and the recipient agrees by accepting this drawing not to supply or disclose any information regarding it to any unauthorized person or to incorporate in other projects any special feature peculiar to this design. All patent rights hereto are expressly reserved by United Microwave Products Inc. | | LINEAR XX ± .015 ANGULAR ± 1/2 ° FRACTION ± 1/32 XXX ± .005 1. MACHINE FINISH $\sqrt{37}$ RMS 2. BREAK ALL SHARP EDGES .002 3. ALL MACHINED FILLETS 4. ALL MACHINED SURFACES SQUARE TO RESPECTIVE AXIS WITHIN .003 PER INCH. 5. MACHINED DIAMETERS TO BE CONCENTRIC WITHIN .002 - .003 T.I.R. 6. DIMENSIONS TO BE MET BEFORE PLATING. 7. CHAMFER ALL THDS. 45 DEGREES 8. THREADS PER H-2B 9. REMOVE FRAYED EDGES ON TEFLON. 10. REMOVE ALL BURRS. | | UNITED MICROWAVE PRODUCTS Inc. | | N PLUG SOLDER/CRIMP RG TYPE FLEXIBLE CABLE | | APPR. | | | |
| | | | | | | | | ENG. | | | |
| | | | | | | | | CHK. | | | |
| | | | | | | | | DR. | | | |
| WEIGHT | SCALE | 1523FLX | | | | | | | | | |
| N/A | NONE | | | | | | | | | | |