

PART NO.	CABLE	(A) DIM	(B) DIM	1-9	10-24	25-49	50-99	100+
1523-1SF	RG-402	.145	.18	\$27.50	\$26.50	\$25.75	\$24.75	\$23.75
1523-2SF	RG-405	.089	.12	\$27.50	\$26.50	\$25.75	\$24.75	\$23.75

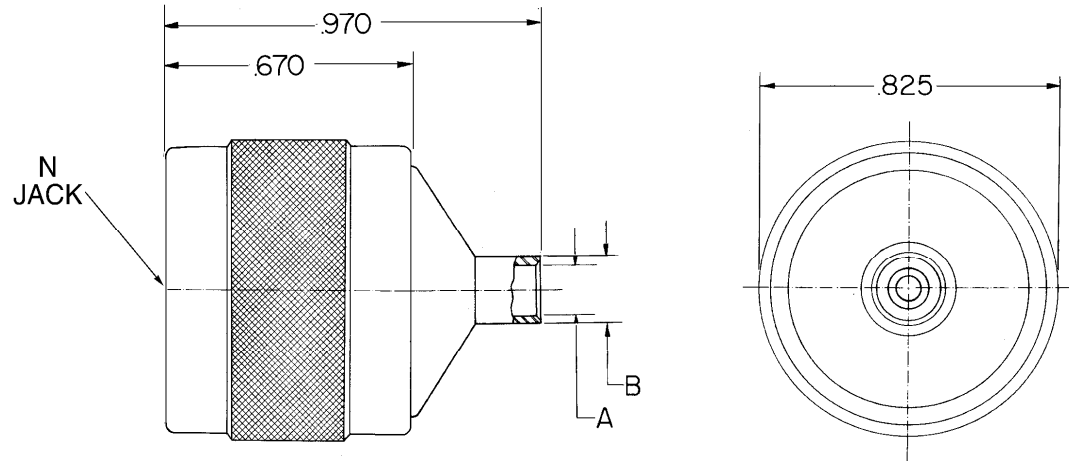
5. VSWR NOT TO EXCEED 1.25 :1 THRU 18 GHZ
4. CONNECTOR TO MEET OR EXCEED ALL SPECIFICATIONS PER MIL-39012

3. FINISH:
SOLDER BODY : GOLD PER MIL-G-45204:
OVER NICKEL PER QQ-N-290
BODY: PASSIVE PER QQ-P-35
COUPLING NUT: PASSIVE PER QQ-P-35
CONTACT: GOLD PER MIL-G-45204: TYPE II,
CLASS 2, OVER COPPER PER MIL-C-14550, CLASS 4

2. MATERIAL:
BODY AND SOLDER BODY: STAINLESS STL PER QQ-S-764 TYPE 303
COUPLING NUT STAINLESS STL PER QQ-S-764 TYPE 303
CONTACT: BERYL. COPPER PER QQ-C-530
INSULATOR: TEFLON PER MIL-P-19468A

1. MATING DIMS IN ACCORDANCE WITH MIL-STD-348

NOTES :



NOTICE

This drawing embodies a CONFIDENTIAL proprietary design originated by United Microwave Products, Inc., and all design, manufacturing, reproduction, use and sale rights regarding the same are expressly reserved. It is submitted under a confidential relationship for a specified purpose and the recipient agrees by accepting this drawing not to supply or disclose any information regarding it to any unauthorized person or to incorporate in other projects any special feature peculiar to this design. All patent rights hereto are expressly reserved by United Microwave Products Inc.

TOLERANCES AND NOTES EXCEPT AS NOTED DIMENSIONS ARE IN INCHES

LINEAR .XX ± .015 ANGULAR ± 1/2 ° FRACTION ± 1/32
XXX ± .005

- MACHINE FINISH $\sqrt{3}$ RMS
- BREAK ALL SHARP EDGES .002
- ALL MACHINED FILLETS
- ALL MACHINED SURFACES SQUARE TO RESPECTIVE AXIS WITHIN .003 PER INCH.
- MACHINED DIAMETERS TO BE CONCENTRIC WITHIN .002 - .003 T.I.R.
- DIMENSIONS TO BE MET BEFORE PLATING.
- CHAMFER ALL THDS 45 DEGREES
- THREADS PER H-2B
- REMOVE FRAYED EDGES ON TEFLON.
- REMOVE ALL BURRS.

		MATERIAL	SIZE	SPECIFICATION	PROCUREMENT	
		UNITED MICROWAVE PRODUCTS Inc.			APPR.	
					ENG.	
					CHK.	
					DR.	
WEIGHT	SCALE	N STRAIGHT CABLE PLUG DIRECT SOLDER			1523-SF	
N/A	NONE					