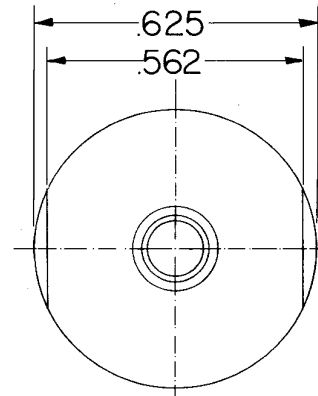


PART NO	1-9	10-24	25-49	50-99	100+
1519-1-SF	\$32.50	\$31.75	\$31.25	\$30.75	\$29.50
1519-2-SF	\$32.50	\$31.75	\$31.25	\$30.75	\$29.50



5. VSWR NOT TO EXCEED 1.20:1 FROM DC TO 11.0 GHz
& 1.30:1 FROM 11GHz TO 18 GHz

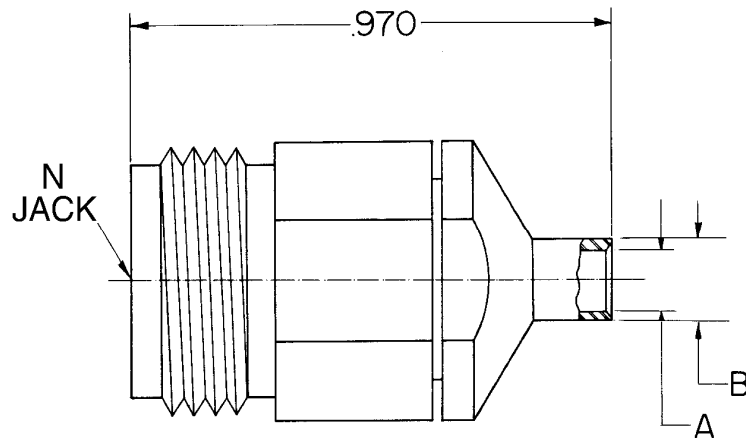
4. CONNECTOR TO MEET OR EXCEED ALL SPECIFICATIONS PER MIL-39012

3. FINISH:
SOLDER BODY : GOLD PER MIL-G-45204:
OVER NICKEL PER QQ-N-290
BODY: PASSIVATE PER QQ-P-35
CONTACT: GOLD PER MIL-G-45204: TYPE II,
CLASS 2, OVER COPPER PER MIL-C-14550, CLASS 4

2. MATERIAL:
BODY AND SOLDER BODY: STAINLESS STL PER QQ-S-764 TYPE 303
CONTACT: BERYL. COPPER PER QQ-C-530
INSULATOR: TEFLON PER MIL-P-19468A

1. MATING DIMS IN ACCORDANCE WITH MIL-STD-348

NOTES :



NOTICE		TOLERANCES AND NOTES EXCEPT AS NOTED DIMENSIONS ARE IN INCHES		MATERIAL		SIZE		SPECIFICATION		PROCUREMENT	
<p>This drawing embodies a CONFIDENTIAL proprietary design originated by United Microwave Products, Inc., and all design, manufacturing, reproduction, use and sale rights regarding the same are expressly reserved. It is submitted under a confidential relationship for a specified purpose and the recipient agrees by accepting this drawing not to supply or disclose any information regarding it to any unauthorized person or to incorporate in other projects any special feature peculiar to this design. All patent rights hereto are expressly reserved by United Microwave Products Inc.</p>		<p>LINEAR .XX ± .030 ANGULAR ± 1/2 ° FRACTION ± 1/32 XXX ± .015</p> <p>1. MACHINE FINISH $\sqrt{37}$ RMS</p> <p>2. BREAK ALL SHARP EDGES .002</p> <p>3. ALL MACHINED FILLETS</p> <p>4. ALL MACHINED SURFACES SQUARE TO RESPECTIVE AXIS WITHIN .003 PER INCH.</p> <p>5. MACHINED DIAMETERS TO BE CONCENTRIC WITHIN .002 - .003 T.I.R.</p> <p>6. DIMENSIONS TO BE MET BEFORE PLATING.</p> <p>7. CHAMFER ALL THDS. 45 DEGREES</p> <p>8. THREADS PER H-2B</p> <p>9. REMOVE FRAYED EDGES ON TEFLON.</p> <p>10. REMOVE ALL BURRS.</p>		UNITED MICROWAVE PRODUCTS Inc.		N JACK CABLE DIRECT SOLDER		APPR.			
				UNITED MICROWAVE PRODUCTS Inc.		N JACK CABLE DIRECT SOLDER		ENG.			
				UNITED MICROWAVE PRODUCTS Inc.		N JACK CABLE DIRECT SOLDER		CHK.			
				UNITED MICROWAVE PRODUCTS Inc.		N JACK CABLE DIRECT SOLDER		DR.			
WEIGHT	SCALE	UNITED MICROWAVE PRODUCTS Inc.						1519-SF			
N/A	NONE	N JACK CABLE DIRECT SOLDER						1519-SF			