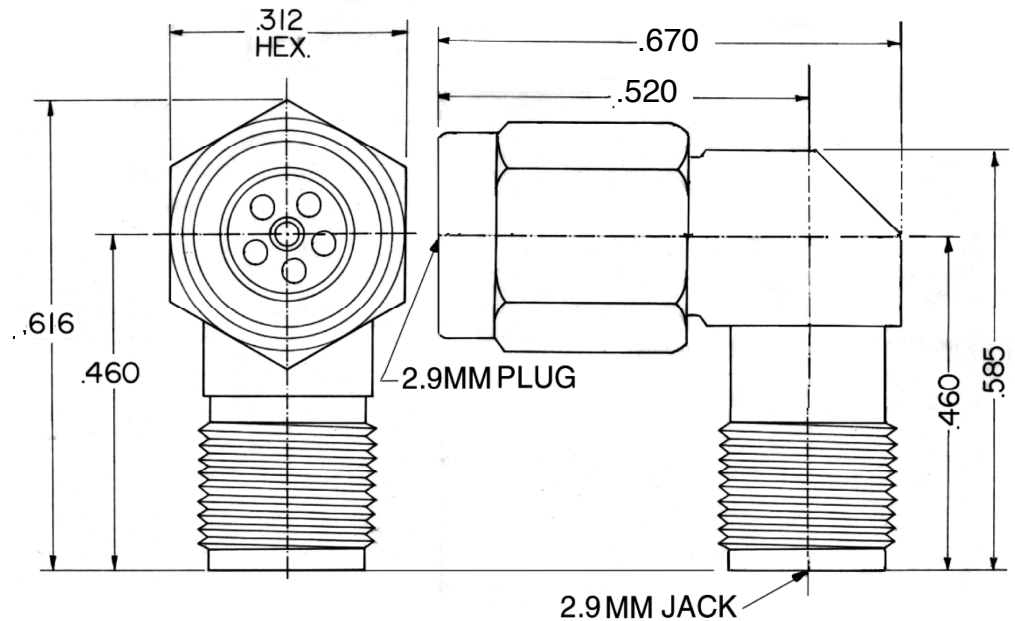


PART NO	1-9	10-24	25-49	50-99	100+
370-40	\$126.00	\$121.00	\$116.00	\$111.00	\$107.00



4. VSWR NOT TO EXCEED 1.4 :1 DC THRU 40 GHZ
3. FINISH:
BODY AND COUPLING NUT: PASSIVATE PER ASTM-A-967
CONTACT: GOLD PER MIL-G-45204: TYPE II, GRADE C, CLASS 1
2. MATERIAL:
BODY & COUPLING NUT: STAINLESS STL PER ASTM-A-484 & ASTM-A-582 TYPE 303
CONTACT: BERYL. COPPER PER ASTM-B-196
DIELECTRIC BEADS: OXIDE NORYL (POLYPHENYLENE)
1. NOMINAL IMPEDANCE: 50 OHMS

NOTES :

NOTICE

This drawing embodies a CONFIDENTIAL proprietary design originated by United Microwave Products, Inc., and all design, manufacturing, reproduction, use and sale rights regarding the same are expressly reserved. It is submitted under a confidential relationship for a specified purpose and the recipient agrees by accepting this drawing not to supply or disclose any information regarding it to any unauthorized person or to incorporate in other projects any special feature peculiar to this design. All patent rights hereto are expressly reserved by United Microwave Products Inc.

TOLERANCES AND NOTES EXCEPT AS NOTED DIMENSIONS ARE IN INCHES

- LINEAR XX ± .015 ANGULAR ± 1/2 ° FRACTION ± 1/32
XXX ± .005
1. MACHINE FINISH $\sqrt{32}$ RMS
 2. BREAK ALL SHARP EDGES .002
 3. ALL MACHINED FILLETS
 4. ALL MACHINED SURFACES SQUARE TO RESPECTIVE AXIS WITHIN .003 PER INCH.
 5. MACHINED DIAMETERS TO BE .002 - .003 T.I.R. CONCENTRIC WITHIN .002 - .003 T.I.R.
 6. DIMENSIONS TO BE MET BEFORE PLATING.
 7. CHAMFER ALL THDS .45 DEGREES
 8. THREADS PER H-2B
 9. REMOVE FRAYED EDGES ON TEFLON.
 10. REMOVE ALL BURRS.

MATERIAL	SIZE	SPECIFICATION	PROCUREMENT
UNITED MICROWAVE PRODUCTS Inc.			
2.9mm PLUG to 2.9mm JACK RIGHT ANGLE			
APPR.			
ENG.			
CHK.			
DR.			
			370-40

WEIGHT

N/A

SCALE

NONE